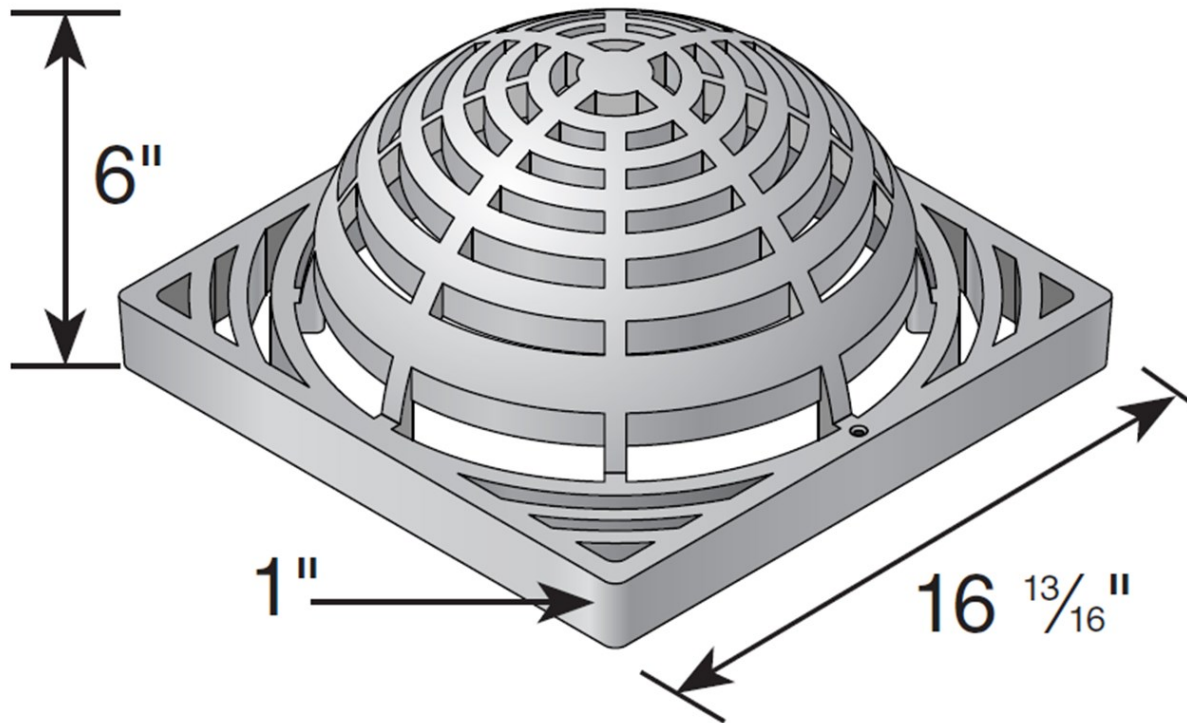


## 18" x 18" Atrium Grate



### 1/2" Grate Opening

Part #: 1881 and 1891  
Material: (HDP) High Density Polypropylene  
Color: #1881 (Black) and #1891 (Green)  
Fits: Catch Basin #1882, #1884, #1800, #1804, #1816, #1830  
and #1840.  
Grate Opening: 1/2"  
Open Surface Area: 89.40 Sq. Inches  
Head Pressure / Flow Rate:  
Head ( inches) - Max Flow  
1" = 386.77 GPM  
1/2" = 273.49 GPM  
UV inhibitor.  
Weight Per Each: 6.5 lbs.

Supplied By:

**TRENCHDRAIN  
SUPPLY**

877-903-7246

www.trenchdrainsupply.com